



# T&S BRASS AND BRONZE WORKS, INC.

2 Saddleback Cove / P.O. Box 1088  
Travelers Rest, SC 29690

Model No.

**B-1141**

Item No.

Travelers Rest, SC: 800-476-4103 • Simi Valley, CA: 800-423-0150 • Fax: 864-834-3518 • www.tsbrass.com



**ADA Compliant**

This Space for Architect/Engineer Approval

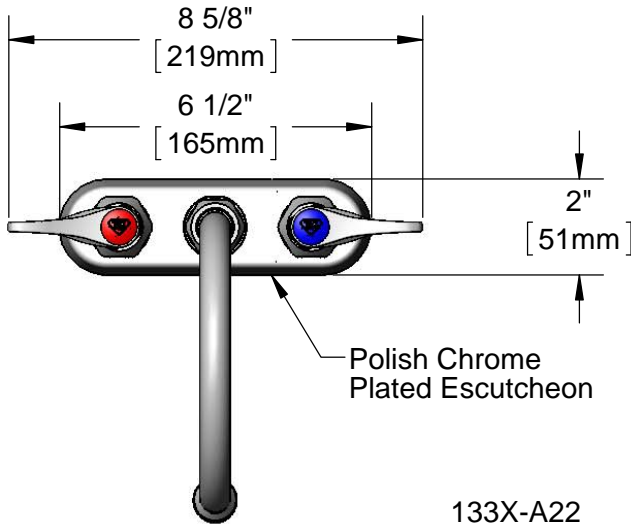
Job Name \_\_\_\_\_ Date \_\_\_\_\_

Model Specified \_\_\_\_\_ Quantity \_\_\_\_\_

Customer/Wholesaler \_\_\_\_\_

Contractor \_\_\_\_\_

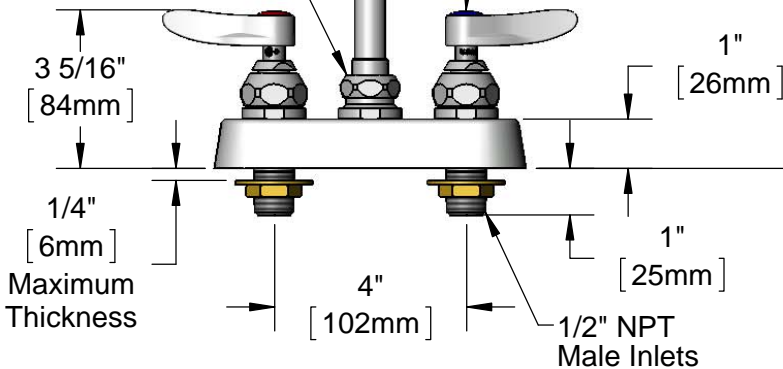
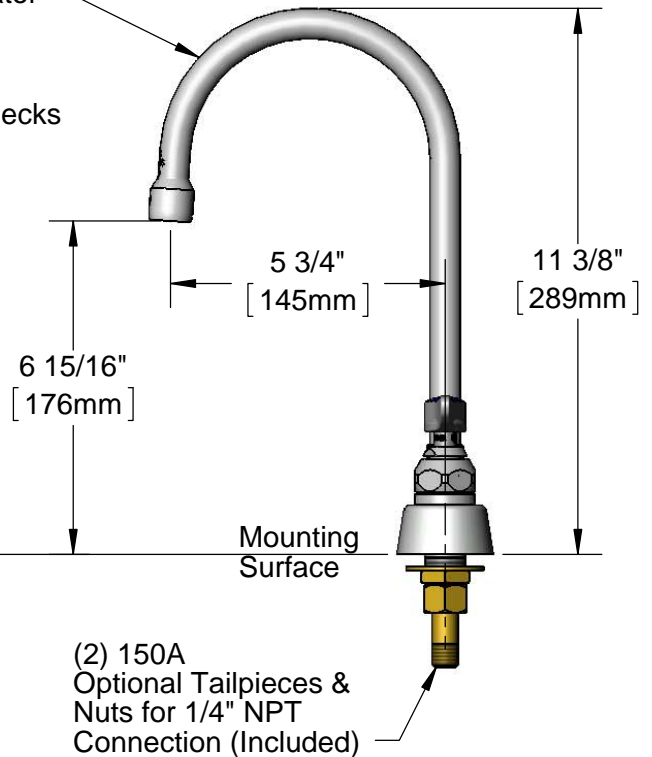
Architect/Engineer \_\_\_\_\_



133X-A22  
6" Swivel Gooseneck  
w/ 2.2 GPM Aerator

Swivel Joint  
Converts to Rigid  
w/ 014200-45  
Lock Washer  
(Included)

Quarter-Turn Eterna  
Cartridges w/ Spring Checks  
& Lever Handles w/  
Color Coded Indexes



Rough-In Requirement:  
(2)  $\varnothing$  1" [25mm] Mounting Holes

**Product Specifications:**

4" Deck Mount Workboard Faucet, Quarter-Turn Eterna Cartridges w/ Spring Checks, Lever Handles, 6" Swivel Gooseneck, 2.2 GPM Aerator & 1/2" NPT Male Inlets

**Product Compliance:**

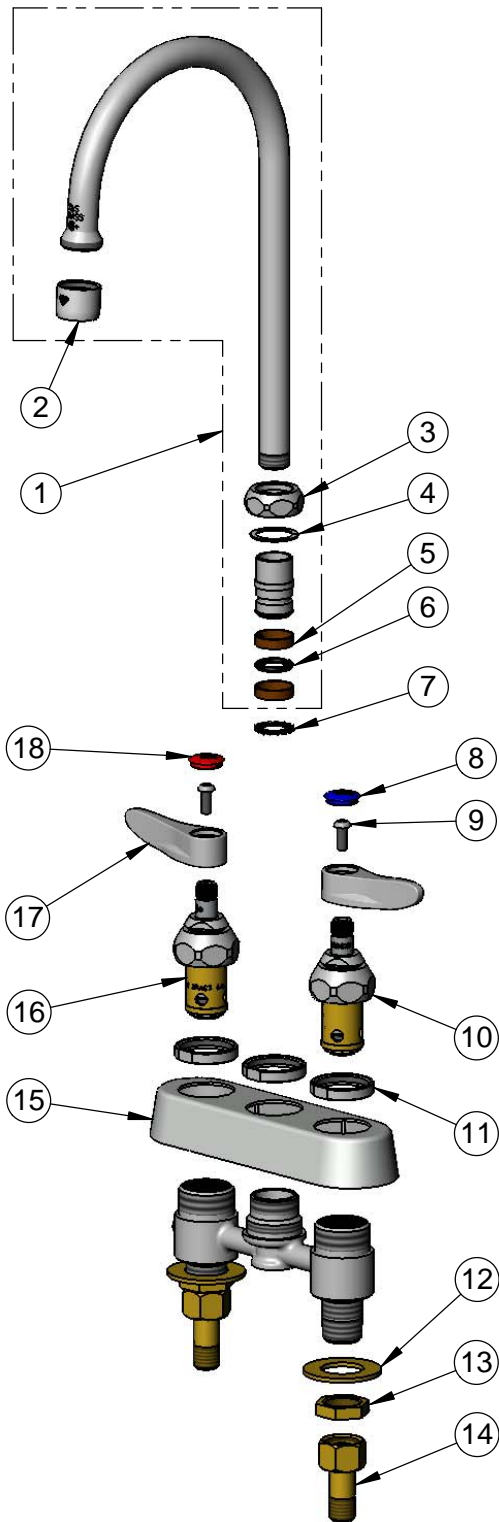
ASME A112.18.1 / CSA B125.1  
NSF 61 - Section 9  
NSF 372 (Low Lead Content)  
ANSI A117.1 (ADA)



**T&S BRASS AND BRONZE WORKS, INC.**  
 2 Saddleback Cove / P.O. Box 1088  
 Travelers Rest, SC 29690

Model No.  
**B-1141**  
 Item No.

Travelers Rest, SC: 800-476-4103 • Simi Valley, CA: 800-423-0150 • Fax: 864-834-3518 • www.tsbrass.com



ITEM NO.	SALES NO.	DESCRIPTION
1	133X-A22	6" Swivel Gooseneck w/ 2.2 GPM Aerator
2	B-0199-01	2.2 GPM Aerator, 55/64"-27 UN Female
3	019360-40	Swivel Nut (New Style)
4	009538-45	Swivel Washer
5	011429-45	Swivel Sleeves (2)
6	001074-45	O-Ring
7	014200-45	Star Washer, Anti-Rotation
8	019363-45	Blue Button Index, Press-in
9	000925-45	Lab Handle Screw
10	019382-40	Quarter-Turn New Style Eterna Cartridge w/ Spring Check, LTC
11	019376-40	Escutcheon Lock Nut
12	000999-45	Brass Lock Washer
13	002954-45	Shank Lock Nut
14	150A	1/4" NPT Tailpiece & Nut
15	019374-40	B-1110 Eterna Workboard Escutcheon
16	019383-40	Quarter-Turn New Style Eterna Cartridge w/ Spring Check, RTC
17	019362-45	Lever Handle (New Style)
18	019364-45	Red Button Index, Press-in

Product Specifications:  
 4" Deck Mount Workboard Faucet, Quarter-Turn Eterna Cartridges w/ Spring Checks, Lever Handles, 6" Swivel Gooseneck, 2.2 GPM Aerator & 1/2" NPT Male Inlets

Product Compliance:  
 ASME A112.18.1 / CSA B125.1  
 NSF 61 - Section 9  
 NSF 372 (Low Lead Content)  
 ANSI A117.1 (ADA)